

# RMS DISPLAY



## ADVANTAGES

- Shows up to 4 measured values
- Automatic adjustment of backlight on alarm
- Compatible with RMS data loggers, RMS On-premise and RMS SaaS
- Conforms to FDA CFR 21 Part 11 / GAMP 5

## APPLICATIONS

- Critical places
- Cleanrooms

RMS

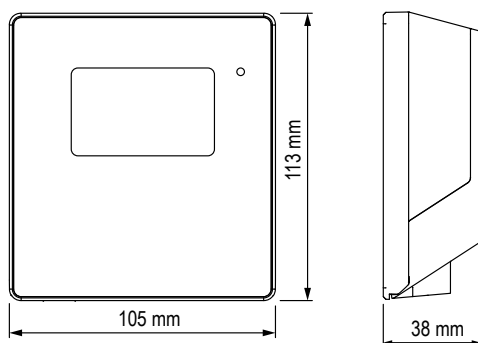
## TECHNICAL INFORMATION

The LAN display is a freely configurable display. As a remote display, it can be placed optimally where it suits the viewer best. It is able to show the measured values, states and alarms of RMS products. The display shows up to four measured values. Two measured values are shown at a time. If more than 2 measured values have been selected, the display alternates between the values that are to be displayed every 5 seconds.

### Compatible with:

- All measuring points
- RMS-GW    RMS Gateway
- RMS-WEB    RMS On-premise
- RMS-CLD    RMS SaaS

### Dimensions



General specifications	
Device type	RMS Display
Display of measuring points	Up to 4 measuring points
Range of application	-20...70 °C / 0...100 %RH
Storage conditions	-20...30 °C / 0...95 %RH
Power supply	24 VDC ±10 % / <100 mA / PoE: 802.3 af-2003, Class 1
AC adapter requirements	24 VDC ±10 % / >4 W / power-limited
Measurement interval	10 s
Interface	Ethernet
Protocols	HTTP
Conformity with standards	
FDA / GAMP directives	FDA CFR21 Part 11 / GAMP5
Housing / Mechanical parts	
Housing material	PC, ABS
Fire protection class	UL94-V2
Dimensions	105 x 113 x 38 mm
Display diagonal	2.26 inch
IP protection class	IP65
Weight	206 g

Subject to technical change without notice. Printing and other errors reserved.

59070E/2018-01