

RMS DATA LOGGER



ADVANTAGES

- 44,000 data point memory
- Fail-safe, thanks to internal battery
- Wireless or LAN interface
- Compatible with RMS Gateway, RMS Server Software and RMS Cloud
- Conforms to FDA CFR 21 Part 11 / GAMP 5

APPLICATIONS

- Pharma monitoring
- Food monitoring
- Museum monitoring



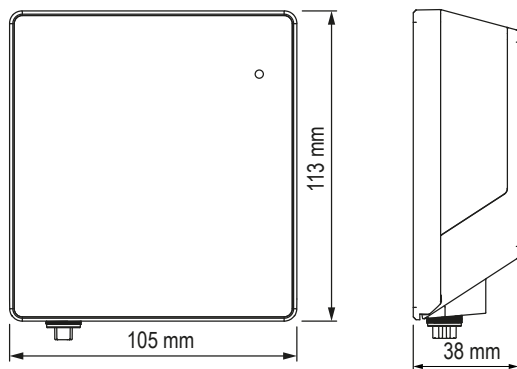
TECHNICAL INFORMATION

The data logger is the flexible component between the probe and the database in the Rotronic Monitoring System. It stores 44,000 pairs of measured values from the interchangeable CO₂, differential pressure, humidity or low dew point probe, and transmits them to the RMS database via LAN or wireless link. It guarantees absolute data protection, even if power supply and communications should break down temporarily.

Compatible with:

- CCD-S CO₂ probe
- PCD-S Differential pressure probe
- HCD-S Humidity and temperature probe
- RMS-GW Gateway
- RMS-WEB On-premises software
- RMS-CLD SaaS solutions

Dimensions



General specifications			
Measured parameters	Humidity & temperature, CO ₂ , differential pressure, LDP		
Range of application	-40..70 °C / 0..100 %RH		
Storage conditions	-40..30 °C / 0..95 %RH		
Maximum altitude	2000 m ASL		
Power supply	24 VDC ±10 % / <100 mA / Battery: RMS-BAT (2xAA, LiSocl2) / PoE: 802.3af-2003, Class 1		
AC adapter requirements	24 VDC ±10 % / 4 W nominal / <15 W power-limited		
Battery life	3 years (at 23 °C, measurement interval 1 min., HCD-S probe)		
Device data			
Measurement interval	10 s to 15 min.		
Startup time	< 10 s		
Order code	RMS-LOG-L	RMS-LOG-868	RMS-LOG-915
Interfaces	Ethernet	ISM 868 MHz	ISM 915 MHz
Indoor wireless range	-	20..50 meters	15..25 meters
Protocols	HTTP / MODBUS TCP		
Ethernet cable requirement	Min. Cat. 5, SFTP, max. 30 m		
Conformity with standards			
FDA / GAMP directives	FDA CFR21 Part 11 / GAMP 5		
Housing / Mechanics			
Housing material	ABS		
Fire protection class	UL94 -V2		
Dimensions	105 x 113 x 38 mm		
IP protection class	IP65		
Weight	200 g		